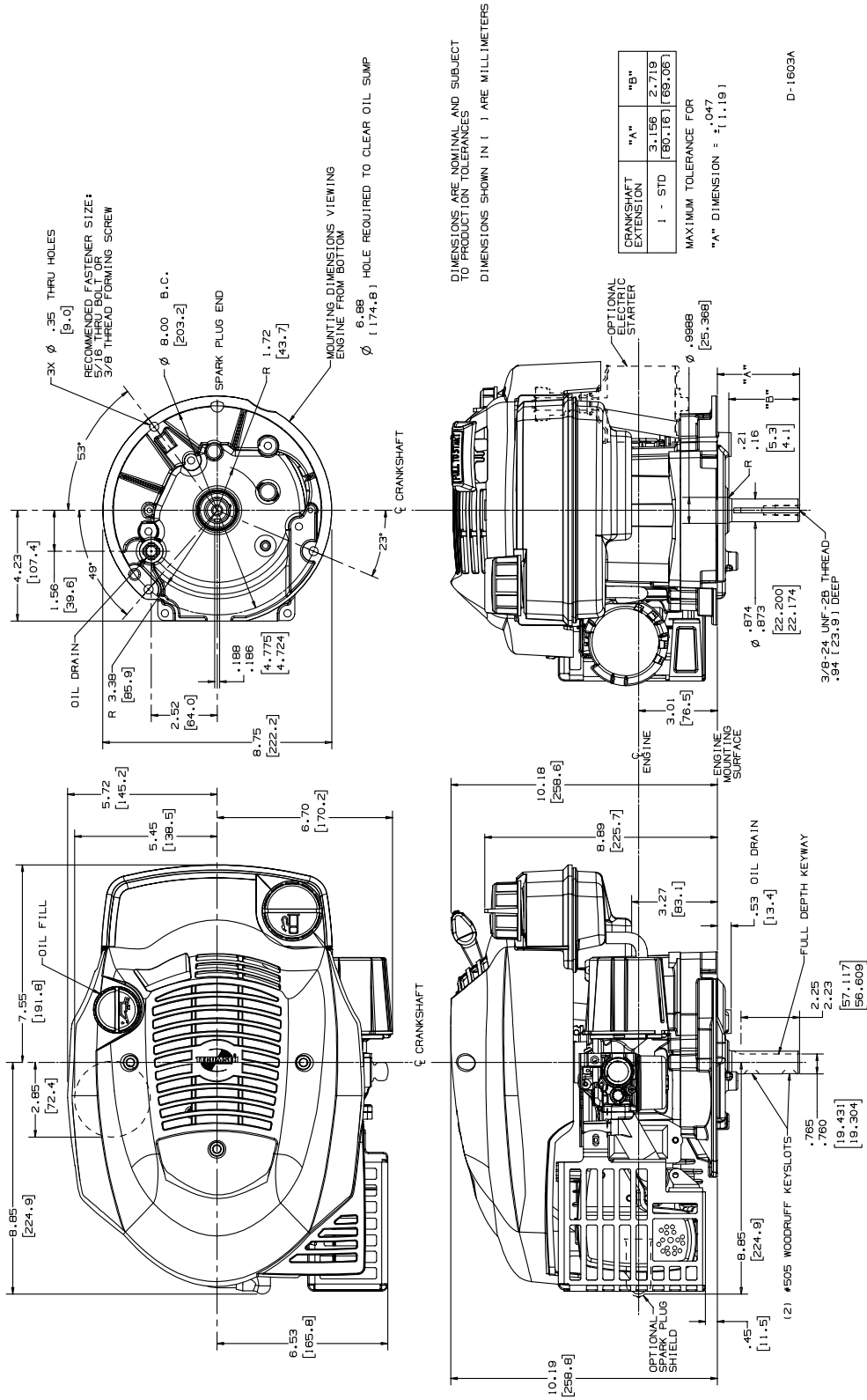




DIMENSIONAL DRAWING

LEV105, LV195EA (LEV120)



DIMENSIONS ARE NOMINAL AND SUBJECT
 TO PRODUCTION TOLERANCES
 DIMENSIONS SHOWN IN () ARE MILLIMETERS

CRANKSHAFT EXTENSION	"A"	"B"
1 - STD	3.156 [80.18]	2.718 [69.08]